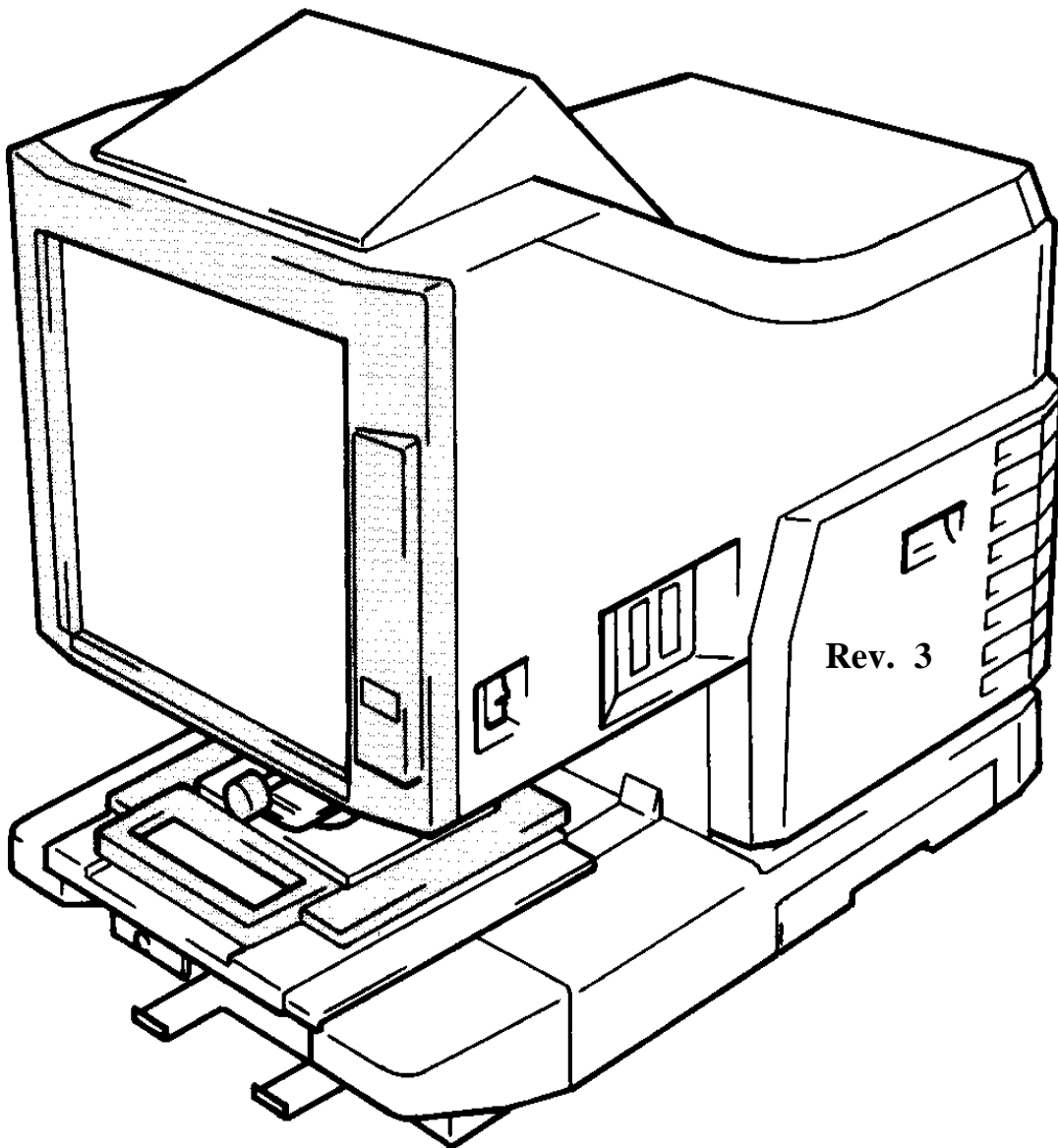


Micrographic Equipment

Replacement Parts & Supplies

2003



Document Imaging Supply Co.

In the U.S. (800)488-7948 International (909)581-3503



"Specializing in Micrographics"

Canon

Document Imaging Supply Co.

2003 Micrographic Catalog

Table of

Contents

Terms & Conditions	4
CREDIT APPLICATION.....	5
PARTS ORDER FORM.....	6
MICROGRAPHIC EQUIPMENT CROSS REFERENCE.....	7
<hr/>	
CANON MP50 / MP55	8
CANON MP60 & MP90	9
CANON PC70 / PC80	10
CANON NP680 / NP780	11
CANON NP880 / NP980.....	12
CANON FILEPRINT 100 / 300 / 400	13
CANON P.M. KITS	14
CANON CONSUMABLES	15
CANON CIRCUIT BOARD REPAIR	16
FUJI MICROGRAPHIC EQUIPMENT	17
KODAK IMT-350	18
KODAK IMAGE LINK-3 (LP-3).....	19
KODAK IMAGE LINK -5 & 7 (LP-5 & LP-7).....	20-21

Nationwide Order Line (800) 488-7948 Tech Support Line (909) 581-3503
Fax (909) 581-3503 Website @ www.doc-imaging.com

Prices are subject to change without notice. Please confirm pricing by faxing a request for quote, or at time of phone order.

Document Imaging Supply Co.

2003 Micrographic Catalog

Table of

Contents

MICRODESIGN READER PRINTERS.....	22
MINOLTA RP502 / 503 / 504 / 600Z / 603Z.....	23
MINOLTA RP505	24
MINOLTA RP605Z / 606Z.....	25
MINOLTA RP607Z.....	26
MINOTA RP609Z.....	27
MINOLTA MSP2000 / MSP3000	28
MINOLTA RFC-9B / 10 / 11 / 12 / UC-5M	29
MINOLTA RFC-15A / 15M / RP504 A/M ROLL FILM.....	30
MINOLTA RFC-20A/M & RFC-21 ROLL FILM.....	31
MINOLTA UC-1 / UC-2	32
MINOLTA FICHE CARRIERS.....	33
MINOLTA MA16 & DR1600/2800 CAMERAS.....	34
MINOLTA P.M. KITS	35-36
MINOLTA CONSUMABLES	37
MINOLTA ERROR CODES.....	38
MINOLTA CIRCUIT BOARD REPAIR.....	39
3M 7540 READER PRINTER.....	40

Nationwide Order Line (800) 488-7948 Tech Support Line (909) 581-3503
Fax (909) 581-3503 Website @ www.doc-imaging.com

Document Imaging Supply Co.

TERMS & CONDITIONS

ORDERING METHODS

Telephone Orders may be placed by dialing (800) 488-7948 or Local (909) 581-3503
Hours of operation are 8AM to 5PM PST

Fax Orders may be placed via fax to (909) 581-3503
If a confirmation is needed please specify on order form.

Shop On-line @ www.doc-imaging.com
E-mail orders to: sales@.doc-imaging.com

NOTE: WE HAVE A MINIMUM ORDER FOR REPLACEMENT PARTS AND/OR SUPPLIES OF \$25.00

PAYMENT METHODS

We accept the following major credit cards:

VISA
MASTERCARD
AMERICAN EXPRESS
DISCOVER / Novus
ATM DEBIT CARD
PAYPAL

Credit Terms of NET 15 available to State and Federal Entities only. upon approval of completed Credit Application
(Application is located after this page in catalog).

SHIPPING

Shipping from our Southern California location is available until 4:30PM PST
Shipping options are as follows:
UPS Ground, 2nd Day, 3 Day & Next Day Air, U.S. Mail

BACKORDERS

Parts or supplies not in stock at the time of order will be special ordered from the manufacturer/supplier. Lead time for backorders is typically 3 to 5 working days.

PRICING

PRICES LISTED IN THIS CATALOG AND ON WEBSITE ARE SUBJECT TO CHANGE WITHOUT NOTICE!

WARRANTY ON PRODUCTS

Document Imaging Supply Co. warrants all of our products against defects in material and workmanship with limited liability to repair or replace a defective product within a time frame of 30 DAYS FROM THE TIME OF PURCHASE.
*Drums, Imaging Units & Electronic Components and special order items are EXCLUDED.

Document Imaging Supply Co. CREDIT APPLICATION

COMPANY NAME: _____

BILL TO ADDRESS:

SHIP TO ADDRESS:

CONTACT NAME: _____ NUMBER: () _____ FAX: () _____

COMPANY BACKGROUND:

COMPANY WAS ESTABLISHED IN _____ AND IS CURRENTLY A ___ CORPORATION ___ PROPRIETORSHIP
IF INCORPORATED, STATE IN WHICH INCORPORATED _____

FEDERAL TAX ID NUMBER: _____ RESALE NUMBER: _____

BRANDS OF MICROGRAPHIC EQUIPMENT SERVICED BY YOUR COMPANY:

COMPANY IS AN AUTHORIZED DEALER FOR: _____

NUMBER OF SERVICE TECHNICIANS: _____

BANKING INFORMATION:

BANK NAME: _____ ACCOUNT NUMBER: _____

ADDRESS:

CONTACT NAME: _____ PHONE: () _____

COMPANY CREDIT CARD TYPE: _____

CARD #: _____ EXP: _____ (MO/YR)

TRADE REFERENCES WITH NET 30 TERMS:

COMPANY NAME	ADDRESS	CONTACT/PHONE	ACCOUNT NUMBER

APPLICANTS SIGNATURE ATTESTS RESPONSIBILITY, ABILITY AND WILLINGNESS TO PAY INVOICES WITHIN DOCUMENT IMAGING SUPPLY CO's. TERMS OF NET 15 DAYS.

SIGNATURE: _____ PRINTED NAME: _____ DATE: _____

Micrographic Equipment Cross Reference

Equipment Cross Reference Guide

Document Imaging Supply Company 2003 Catalog

OEM & MODEL	SOLD AS ALOS	SOLD AS BELL & HOWELL	SOLD AS EYECOM	SOLD AS KODAK	SOLD AS 3M
CF300				Image Link 5	
Canon MP50 / MP55	/	/	RP-9000		
Canon MP60	/	/	PRINT MASTER 10000		
Canon PC70	/	6300			
Canon PC80	/	6300			
Canon MP90	/			IMAGE LINK1000 (MP90K+READER)	
Canon NP580	/				
Canon NP680	/	7500			
Canon NP780	/	7550			
Canon NP780 FSII	/	7700			
Canon NP880	/				
Canon NP980	/				
Canon RF550D	/	MICROTRAC			
Minolta RP502	/	ABR-1300			
Minolta RP503	/	1400			
Minolta RP504A	/	1400			7560
Minolta RP504M	/	1400			7565
Minolta RP505	/	ABR-1900		IMT-350	
Minolta RP507	/	ABR-1700			7580
Minolta RP509	/				
Minolta RP600Z	Z-40	ABR-2000			
Minolta RP603Z	/	ABR-2300			
Minolta RP605Z	/	ABR-2600			
Minolta RP607Z	/	ABR-2700			
Minolta RP609Z	/	ABR-2900			
Minolta MA16	/	Filemaster			
Minolta DR1600	ADF 41				6500
Minolta DAR2800	ADF 42				
Minolta RM401 /402	/				
Microdesign MC100	/				
Microdesign MC750	/				
Microdesign MC1000	/	Compact 4000		Starmate 500/550 Fiche	
Microdesign MC2000	/			Starmate500/550 Roll Film	

Canon Micrographic Equipment

Parts & Supplies for MP50 / MP55

Document Imaging Supply Company 2003 Catalog

Description	Part Number
EXIT TRAY A	MA1-925
EXIT TRAY B	MA1-9253
RIVE ASSEMBLY	MG1-119
PPR FEED TRAY ASM	MG1-118
PPR P/U ROLLER ASM	FG5-000
PICK UP ROLLER ONLY	FB1-013
TRANSFER GUIDE ASM	FG5-001
PPR SEP PAD ASM	MG1-119
SEP PAD	MA1-953
DELIVERY ASM	MG1-109
DELIVERY ROLLER	FF9-083
FUSER SEP CLAW	FB1-030
SCAN MIRROR ASM	MG1-106
LAMP SOCKET	MH6-301
UPPER FUSER ROLLER GEAR	FS5-002
UPPER FUSER ROLLER	FB1-0241
LOWER FUSER ROLLER	FB1-0242
HEAT LAMP	FH7-420
UPPER FUSER ROLLER BUSHING	FS5-100
LOWER FUSER ROLLER BUSHING	FS5-101

Nationwide Order Line (800) 488-7948 Tech Support Line (909) 581-3503
Fax (909) 581-3503 Website @ www.doc-imaging.com

Prices are subject to change without notice. Please confirm pricing by faxing a request for quote, or at time of phone order.

Canon Micrographic Equipment

Parts & Supplies for MP60 & MP90

Document Imaging Supply Company 2003 Catalog

Description	Part Number
P/U ROLLER (SUB)	FB1-147
P/U ROLLER (MAIN)	FB1-399
UPPER GLASS FICHE	MF1-288
LOWER ASM FICHE	MF1-289
FICHE CARRIER ASM	MG1-189
LAMP ASM	MG1-187
LAMP SOCKET (MP60)	MH6-302
LAMP SOCKET (MP90)	MF1-272
THERMOSWITCH	MH7-702
DRUM DRIVE ASM	MG1-169
TRANSFER GUIDE ASM	FG5-022
TRANSFER CORONA ASM	FG5-060
TRANSFER CORONA WIRE	FY1-010
P/U ROLLER ASM	MG1-187
P/U ROLLER (60)	FB1-062
P/U ROLLER (90)	FB1-148
P/U ASM	FG5-108
UPPER FUSER ROLLER GEAR	FS4-017
UPPER FUSER ROLLER	FB1-921
PICK OFF FINGER	FB1-030
LOWER FUSER ROLLER	MA2-230
UPPER FUSER BUSHING	FS5-101
LOWER FUSER BUSHING	FB1-406
FIXING ASM (MP60)	MG1-187
FIXING ASM (MP90)	MG1-169
FUSER WAND	FG5-001
HEAT LAMP	FH7-423
THERMOSWITCH	FF5-060
EXIT ROLLER	FB1-030
PAPER EXIT ASM	MG1-187
MAIN MOTOR ASM	MH7-108

Nationwide Order Line (800) 488-7948 Tech Support Line (909) 581-3503

Prices are subject to change without notice. Please confirm pricing by faxing a request for quote, or at time of phone order.

Parts & Supplies for PC70 & PC80

Document Imaging Supply Company 2003 Catalog

Description	Part Number
PAPER FEED ROLLER	FA2-560
PROJECTION LAMP SOCKET	XG2-739
UPPER FUSER ROLLER	FA2-593
LOWER FUSER ROLLER	FA2-593
UPPER FUSER BUSHING	FS1-120
LOWER FUSER BUSHING	FS1-120
HEATER LAMP	FH7-4121
PICK OFF FINGER	FA2-593
FUSER CLEANING WAND	FG1-237
THERMISTOR	FH7-907
THERMOSWITCH	FH7-704
SEPERATION MYLAR	MF9-095
PIVOT GEAR ASM	FF1-606
MIRROR SCAN CLUTCH ASM - PC80	MG1-087
COMPLETE FUSER ASSEMBLY PC70/80	MG1-070

**Nationwide Order Line (800) 488-7948 Tech Support Line (909) 581-3503
 Fax (909) 581-3503 Website @ www.doc-imaging.com**

Prices are subject to change without notice. Please confirm pricing by faxing a request for quote, or at time of phone order.

Canon Micrographic Equipment

Parts & Supplies for NP680 & NP780

Document Imaging Supply Company 2003 Catalog

Description	Part Number
PAPER FEED ROLLER - SINGLE TIRE	FF9-0581
PAPER FEED ROLLER - DOUBLE TIRE	FA3-873
PROJECTION LAMP SOCKET	MH7-300
P.C. DRUM - GENERIC	NP780DRUM
DRUM CLEANING BLADE	FG1-721
CORONA WIRE SET	FY3-003
UPPER FUSER BEARING	XG9-013
LOWER FUSER BEARING	XG9-009
UPPER HEATER LAMP	FH7-416
LOWER HEATER LAMP	FH7-417
UPPER FUSER ROLLER	FA2-886
UPPER PICK OFF FINGERS	FA9-045
LOWER PICK OFF FINGERS	FA2-903
LOWER FUSER ROLLER	FA5-150
FUSER OIL WEB ROLLER	FA3-890
THERMISTOR	FH7-709
THERMOSWITCH	FH7-704
MAIN CHARGE CORONA ASM	MG1-1055
TRANS - SEP CORONA ASM	MG1-0961

Nationwide Order Line (800) 488-7948 Tech Support Line (909) 581-3503
Fax (909) 581-3503 Website @ www.doc-imaging.com

Prices are subject to change without notice. Please confirm pricing by faxing a request for quote, or at time of phone order.

Parts & Supplies for NP880 & NP980

Document Imaging Supply Company 2003 Catalog

Description	Part Number
PRIMARY CORONA ASM	MG1-219
P.C. Dru w/ Cleaning Blade Kit	NP880/980Drumkit
CORONA WIRE	FY1-088
SEP/ TRANSFER CORONA ASM	MG1-222
SEP CORONA	FY3-003
TRANSFER CORONA	FY3-004
TONER HOPPER ASM	MG1-225
NEG DEV ASM	MG1-222
POS DEV ASM	MG1-222
FIXING ASM	MG1-224
UPPER FUSER ROLLER	FB1-594
UPPER PICK OFF FINGER	FA9-045
LOWER PICK OFF FINGER	FA2-903
LOWER FUSER ROLLER	MA2-367/FB1-5921
HEATER LAMP	FH7-425
UPPER FUSER BEARING	XG9-018
UPPER FUSER BUSHING	FB1-592
LOWER BEARING	XG9-020
OIL WEB ROLLER	FA3-890
UPPER FUSER GEAR	FS5-027
THERMISTOR	FH7-715
THERMO SWITCH	FH7-726
EXIT TRAY	FA6-687
PPR FEED ROLLER - DOUBLE ROLLER "B"	FA5-293
P/U REAR ROLLER - SINGLE ROLLER "A"	FF9-0581-030
ROLLER	FS2-600
BELT TIMING P/U	XF9-009
SEP ROLLER	FA5-2867
REG UPPER ROLLER	FA5-284
REG LOWER ROLLER	FA5-284
FEEDER BELT	FA5-262
FLAT DRIVE ROLLER FOR FLAT BELTS	FA5-262
DELIVER ROLLER	FF9-086
LOWER DELIVERY ROLLER	FA2-831
DELIVERY ROLLER	FA2-829
PROJECTION LAMP SOCKET	MH7-303
THERMOSWITCH	MH7-700

P.M. Kits

Document Imaging Supply Company 2003 Catalog

Model	Part Number	Contents of P.M. Kit
MP50 / MP55	MP50-PMK	UPPER FUSER ROLLER LOWER FUSER ROLLER UPPER & LOWER FUSER BUSHINGS PICK OFF FINGERS FUSER WAND PAPER FEED ROLLER
MP60 & MP90	MP6090-PMK	UPPER FUSER ROLLER LOWER FUSER ROLLER UPPER & LOWER FUSER BUSHINGS PICK OFF FINGERS FUSER WAND PAPER FEED ROLLER
PC70 & PC80	PC7080-PMK	UPPER FUSER ROLLER LOWER FUSER ROLLER UPPER & LOWER FUSER BUSHINGS PICK OFF FINGERS FUSER WAND PAPER FEED ROLLER
NP680 & NP780	NP680780-PMK	UPPER FUSER ROLLER LOWER FUSER ROLLER UPPER & LOWER FUSER BEARINGS PICK OFF FINGERS OIL WEB ROLLER PAPER FEED ROLLERS "A" & "B" CORONA WIRE KIT DRUM CLEANING BLADE
NP880 & NP980	NP880980-PMK	UPPER FUSER ROLLER LOWER FUSER ROLLER UPPER & LOWER FUSER BEARINGS UPPER & LOWER PICK OFF FINGERS OIL WEB ROLLER PAPER FEED ROLLERS CORONA WIRE KIT DRUM CLEANING BLADE
FP100	FP100-PMK	UPPER & LOWER FUSER ROLLER UPPER & LOWER BUSHINGS PICK OFF FINGERS FUSER WAND PAPER FEED ROLLER
FP300	FP300-PMK	UPPER & LOWER FUSER ROLLER UPPER & LOWER BUSHINGS PICK OFF FINGERS FUSER WAND PAPER FEED ROLLER
FP400	FP400-PMK	UPPER & LOWER FUSER ROLLER UPPER & LOWER BUSHINGS PICK OFF FINGERS FUSER WAND PAPER FEED ROLLER

Consumables

Document Imaging Supply Company 2003 Catalog

Model	N-P Cartridge	P-P Cartridge	N-P Toner	P-P Toner	Fuser Wand	Projection Lamp	Drum
MP50	M95-0411-010	M95-0401-010	N/A	N/A	FG5-0018-080	17V/60W	N/A
MP60	M95-0411-010	M95-0401-010	N/A	N/A	FG5-0018-080	FCS	N/A
PC70	M95-0271-010	M95-0281-010	N/A	N/A	FG1-2377-020	FCS	N/A
PC80	M95-0271-010	M95-0281-010	N/A	N/A	FG1-2377-020	FCS	N/A
MP90	M95-0411-010	M95-0401-010	N/A	N/A	FG5-0018-080	FCS	N/A
NP580	N/A	N/A	M95-0221-000			FCS-FR	NP580 DRUM
NP680	N/A	N/A	M95-0371-000	M95-0381-000		FCS-FR	NP680780 DRUM
NP780	N/A	N/A	M95-0371-000	M95-0381-000		FCS-FR	NP680780 DRUM
NP880	N/A	N/A					NP880/980 DRUM
NP980	N/A	N/A					NP880/980 DRUM
FP100	M95-0441-000						
FP300	M95-0471-000						
FP400	M95-0501-000 1						
DMP100	MP20N01	MP20P01					

Nationwide Order Line (800) 488-7948 Tech Support Line (909) 581-3503
Fax (909) 581-3503 Website @ www.doc-imaging.com

Prices are subject to change without notice. Please confirm pricing by faxing a request for quote, or at time of phone order.

Circuit Board Repair

Document Imaging Supply Company 2003 Catalog

Model	PART NUMBER	DESCRIPTION	PRICE
NP880/980	MG1-2269	DC CONTROLLER	356.00
NP880/980	MH3-2030	DC POWER SUPPLY	344.00
NP780	MG1-0936	DC CONTROLLER #2	192.00
NP780	MG1-1009	DC CONTROLLER #1	352.00
NP780	MH3-2013	DC POWER SUPPLY (MAIN)	182.00
MP90/90K	MG1-1726	LAMP REGULATOR	40.00
MP90/90K	MG1-1727	DC POWER SUPPLY PCB	126.00
MP90/90K	MG1-2077	CPU	98.00
MP50	MG1-1071	DC CONTROLLER PCB	64.00
MP50	MG1-1084	LAMP REGULATOR 1 PCB (N)	32.00
PC80	MG1-0890	CPU PCB (OLD)	74.00
PC80	MG1-1022	CPU PCB	98.00
PC80	MH3-2010	DC POWER SUPPLY PCB	98.00
PC70	MG1-0646	CPU PCB	148.00
PC70	MH3-2001	DC POWER SUPPLY PCB	110.00
AC780M	MG1-1033	CONTROL PCB ASSY	106.00
AC380MII	MG1-0365	CONTROL PCB ASSY	106.00
AC380E/780E	MG1-1034	CONTROL PCB ASSY	106.00
AC100C	MG1-1177	CPU PCB	168.00
AC100R	MG1-1207	CPU PCB	166.00
RF1000	MG1-1961	CPU PCB	436.00
RF1000	MH3-2026	POWER SUPPLY	534.00
RF800DDS	MG1-0364	CONTROL PCB	208.00
RF550D/RF550D2/ RF560	MG1-1047	DC POWER SUPPLY PCB	70.00
RF550D/RF550D2/ RF560	MG1-1396	CPU PCB (NEW)	146.00
CF100	MG1-1059	CPU PCB (NEW)	146.00

Nationwide Order Line (800) 488-7948 Tech Support Line (909) 581-3503
Fax (909) 581-3503 Website @ www.doc-imaging.com

Prices are subject to change without notice. Please confirm pricing by faxing a request for quote, or at time of phone order.

Replacement Parts & Supplies

Document Imaging Supply Company 2003 Catalog

Model	Part Number	Description
MS850	112U2ORD-2264-S	FILM ADV/REW VR
MS850	323U2ORD-0333	FILM LOAD BELT (2 RQ)
MS850	334U2ORD-7307	FILM LOAD RLR (2RQ)
MS850	375T3M10	FILM DRIVE O-RING
MS850	323U2ORD-0332 323U2ORD-0465	FILM DRIVE BELT
MS850	323U2ORD-0428-355 OR 446	FLAT TRANSPORT BLT
MS850	148U2ORD-52141215	CORONA WIRE PACK
MS850	334U2ORD52142552	PPR FEED ROLLER (2 RQ)
MS850	334U2ORD52144107	UPR FUSER BUSHING
MS850	322T10688NR	LWR FUSER BEARING
MS850	334U2ORD52144106	UPPER FUSER ROLLER
MS850	334U2ORD52144111	LOWER FUSER ROLLER
MS850	117U2ORD52145520	HEATER LAMP
MS850	403U2ORD-0997-T	FUSER CLEANER PAD
MS850	3282ORD52149002	PICK OFF FINGER
MS850	115U2ORD-2522-T	THERMISTOR
MS850	115U2ORD52145422	THERMOSWITCH
MS850	120U2ORD2503-T	PROJECTION LAMP SKT
MS850	MS850TONER NP	TONER CARTRIDGE
MS850	805U2ORD1301-S	DEVELOPER UNIT (30K)
MS850	61535000	O.B. IMAGING MODULE
MS850	52144108	UPR FSR DRIVE GEAR
MS850	52143856	TRANSPORT BELT
MS850	52144127	EXIT ROLLER
MS850	52143211	DEVELOPER UNIT HOLDER
30/40	61511615	11" X 400' PAPER
30/40	61511685	8.5" X 400' PAPER
30/40	61511700	FMRP RDR/PRNTR/TONER
MS850	61526000	TONER 20 CARTRIDGES /CASE
LP10	LP10TC	TONER CARTRIDGE
MS850	61535001	O.B. MODULE TYPE B
M-Drive	61550240	FLAT BELT
M-Drive	61550370	RUBBER ROLLER
M-Drive	61550245	TAKE UP REEL
M-Drive	61550050	ROUND BELT
FO-5	61559913	CHEMICAL KIT
FMP16	16-61597001	CHEM PAK

Kodak IMT-350 Parts List

Parts & Supplies for KODAK IMT-350

Document Imaging Supply Co. 800-488-7948

Description	Part Number	Price Each
Paper Separation Pad	0860-019	8.00
Paper Pick Up Roller	0860-140	33.00
Erase Lamp	9351-122	45.00
Drum Charge Corona Wire	0860-076	15.00 / PACK OF 10
Scorotron Grid	0723-391	42.00
Toner Hopper Scrapper Blade	0723-560	16.50
Mag Roller Scraper Blade	0860-076	28.00
Developer Chamber Body	0723-460	68.00
P.C. Drum	0860-014	335.00
Drum Cleaning Blade	0860-022	34.00
Anti Spill Mylar	0723-550	8.00
Recycling Coil	0723-150	48.00
Recycling Pipe (White)	0723-453	4.20
Cam Gear 36T (Recycling)	0721-025	19.75
Cam Follower for Above	0860-150	29.25
Transfer Corona Wire	0860-076	15.00 / PACK OF 10
Separation Corona Wire	0723-075	15.00 / PACK OF 10
Vacuum Belt Set	0860-540	92.00 / SET
Heater Lamp	9352-222	28.00
Upper Fuser Roller (TEF)	0860-170	32.00
Lower Sleeved Fuser Roller	0860-170	60.00
Oil Regulating Roller (Paper)	1300-513	18.00
Fuser Entry Guide Plate	0860-371	16.00
Pick Off Finger	0704-270	5.50
Upper Fuser Bearing	1300-439	8.00
Lower Fuser Bearing (RP505)	1300-439	4.95
Exit Neutralizing Brush	1021-570	6.85
Thermistor		
Exit Reed Switch	9334-222	9.60
Ozone Filter (Small)	0860-780	24.00
Ozone Filter (Vacuum Area)	0860-780	28.75

We maintain a good supply of Circuit Boards and High Voltage Units for this model as well as many other parts in stock or available on special order.

Nationwide Order Line (800) 488-7948 Tech Support Line (909) 581-3503
Fax (909) 581-3503 Website @ www.doc-imaging.com

Kodak Image Link Printer -5 (LP-5)

Parts & Supplies for KODAK LP-5

Document Imaging Supply Co. 800-488-7948

SECTION	Description	Part Number
TAKE UP	TAKE UP ROLLER ASSEMBLY	0944-071
	FEED ROLLER	1033-540
	REED SWITCH PAPER CASSETTE	9334-252
	PHOTO INTERRUPTER	9335-142
	TRANSPORT ROLLER UPR	1300-512
	TRANSPORT ROLLER LWR	1300-522
	TAKE UP ROLLER ASM	0944-070
	TAKE UP ROLLER ASM	0944-070
	2X ROLLER	1033-5402
	ROLLER X1	1033-5401
	ROLLER ASM	0944-070
	ROLLER	1033-540
CHARGE	CORONA WIRE	0944-076
	GRID	0944-390
	CORONA UNIT ASM	0947-033
	ERASE LAMP	9351-152
TONER HOPPER	TONOR MOTOR	9311-322
DEVELOPER	DEVELOPER UNIT ASM	0947-033
CLEANER UNIT	DRUM	0863-017
	DRUM CLEANING BLADE	1033-015
	ANTI SPILL MYLAR	0947-010
	RECYCLING COIL	0944-351
	CLEANER UNIT ASM	0947-034
VACUUM SECTION	VACUUM BELT SET	1033-541
	VACUUM BELT ASM	0944-031
	TRANS / SEP CORONA WIRE	1033-075
	TRANS / SEP CORONA ASM	0944-034
FUSER SECTION	UPPER FUSER ROLLER	0947-170
	LOWER FUSER ROLLER	0947-070
	OIL ROLLER	0944-170
	HEATER LAMP	9352-242
	PICK OFF FINGER	1029-470
	THERMISTOR	9372-252
	THERMAL FUSE	9346-322

We can special order any part in this printer, please call us with your requirements.

Nationwide Order Line (800) 488-7948 Tech Support Line (909) 581-3503

Kodak Image Link Printer 7 (LP-7)

Document Imaging Supply Co. 800-488-7948

Description	Part Number	Price Each
Paper Take Up Roller	1259-540	\$ 21
Transfer , Seperation, Drum Corona Wire	1036-075 (10 pack)	\$ 20 (Pack of 10 wires)
Vacuum Belt Set	1036-540	\$ 38
P.C. Drum Generic	0873-029	\$ 125
P.C. Drum Original	0873-029	\$ 215
Drum Cleaning Blade	1053-014	\$ 20
Anti Spill Plate/Mylar	1054-552	\$ 24
Starter N-P (Developer)	8910	\$ 90
Upper Fuser Roller	1053-170	\$ 38
Lower Fuser Roller	1053-015	\$ 37
Oil Web Roller	1032-170	\$ 35
Heater Lamp	9352-282	\$ 32
Pick Off Finger "A" - Lower Roller	1053-470 (2)	\$ 5.95
Pick Off Finger "B" - Lower Roller	0966-576 (4)	\$ 5.95
Pick Off Finger - Upper Fuser Roller	0966-577 (6)	\$ 5.95
Drum Corona Unit	0966-033	\$ 150
Transfer Corona Unit	0966-033	\$ 396
P/U Roller Kit	0931-090	\$ 109
Fusing Unit	0966-033	N/A
Exposure Unit	0966-063	N/A
Drum Unit	0966-029	N/A

We can special order any part in this printer, please call us with your requirements.
Nationwide Order Line (800) 488-7948 Tech Support Line (909) 581-3503
Fax (909) 581-3503 Website @ www.doc-imaging.com

Replacement Parts & Supplies

Document Imaging Supply Company 2002 Catalog

Model	Part Number	Description
MC100/750	23112001	UPPER FUSER ROLLER
MC100/750	23112002	LOWER FUSER ROLLER
MC100/750	23109001	HEATER LAMP
MC100/750	22953000	THERMISTOR
MC100/750	22957000	THERMAL FUSE ASM
MC100/750	22947000	UPPER RLR DRIVE GEAR
MC100/750	22935000	PAPER PICK UP ROLLER
MC100/750	M171353	NEG DRUM UNIT
MC100/750	19544034	NEG TONER CARTRIDGE KIT
MC1000	19694002	NEG DRUM UNIT
MC1000	19544002	NEG TONER CARTRIDGE KIT
MC1000	19981001	BUSHING, UPPER FUSER
MC1000	19981002	BUSHING, UPPER FUSER
MC1000	19657000	CORONA WIRE PACK
MC1000	19653000	UPPER FUSER ROLLER
MC1000	19652000	LOWER FUSER ROLLER
MC1000	19651000	PICK OFF FINGERS
MC1000	19664000	FUSER WIPER PAD
MC1000	19656001	HEATER LAMP
MC1000	19665000	THERMISTOR SENSOR
MC1000	19655000	THERMAL FUSE ASM
MC1000	20078004	UPPER RLR DRIVE GEAR
MC1000	20083000	PAPER PICK UP ROLLER
MC1000	20076000	LOWER REG ROLLER
MC1000	20078003	DRUM DRIVE SPROCKET

We can special order any part in this printer, please call us with your requirements.
Nationwide Order Line (800) 488-7948 Tech Support Line (909) 581-3503
Fax (909) 581-3503 Website @ www.doc-imaging.com

Parts & Supplies for RP502 / 503 / 504 / 600Z / 603Z

Document Imaging Supply Company 2003 Catalog

Machine Section	Model	Description	Part Number
Paper Take Up	502 / 503/ 504 / 600 / 603	PAPER PICK UP ROLLER	1035-440
"	"	PICK UP CLUTCH GEAR	1300-335
"	"	PICK UP CLUTCH RATCHET	0722-431
"	"	PICK UP CLUTCH CAM	1035-440
"	"	PICK UP CLUTCH SPRING	1400-346
"	"	PAPER TAKE UP SOLENOID	0857-075
"	"	1ST PAPER SENSING SW	9334-252
"	"	U-TURN FEED ROLLER	1300-600
"	"	U-TURN GUIDE DOOR	0857-440
TRANSPORT	"	SYNCH SOLENOID	1035-076
"	"	SYNCH CLUTCH SPRING	1400-345
"	"	SYNCH COLLOR	1035-240
"	"	SYNCH RATCHET WHEEL	1035-441
"	"	SYNCH 18T GEAR	1035-441
"	"	SYNCH 28T GEAR	1300-334
"	"	UPPER SYNCH ROLLER	1300-501
"	"	LOWER SYNCH ROLLER	1300-511
"	"	TRANSPORT GEAR CLUSTER	1035-033
"	600Z ONLY	SYNCH CLUTCH UNIT	0870-622
"	502 / 503/ 504 / 600 / 603	TRANSFER CORONA WIRE	1035-075
IMAGE UNIT	ALL MODELS	DRUM - GENERIC	0858-016
"	"	CLEANING BLADE	1035-015
"	"	DRUM CHARGE CORONA	1035-075
"	"	SCOROTRON GRID	0857-540
FUSER SECTION	"	UPPER FUSER ROLLER	1035-170
"	ALL EXCEPT RP603Z	LOWER FUSER ROLLER	1035-170
-	RP603Z ONLY	LOWER FUSER ROLLER	1067-570
"	ALL MODELS	OIL PAD ASM	0870-550
"	ALL MODELS	THERMISTOR	9372-252
"	"	PICK OFF FINGER	1035-470
"	"	HEATER LAMP	0857-650
"	"	UPPER FUSER ROLLER BUSHING	1035-470
"	"	LOWER FUSER ROLLER BUSHING	1035-470
"	"	FUSER END CAP	1035-470
ASSEMBLIES	"	UPPER FUSER ASSEMBLY	0870-031
"	"	PAPER CASSETTE	0857-440
"	600Z ONLY	PAPER CASSETTE	0870-300
-	RP502/3/4	PROJECTION LAMP SOCKET	0857-650
	RP600Z & RP603Z	PROJECTION LAMP SOCKET	0870-652

Minolta RP505

Parts & Supplies for RP505

Document Imaging Supply Co. 800-488-7948

Description	Part Number	Price Each
Paper Separation Pad	0860-019	8.00
Paper Pick Up Roller	0860-140	33.00
Erase Lamp	9351-122	45.00
Drum Charge Corona Wire	0860-076	15.00 / PACK OF 10
Scorotron Grid	0723-391	42.00
Toner Hopper Scrapper Blade	0723-560	16.50
Mag Roller Scrapper Blade	0860-076	28.00
Developer Chamber Body	0723-460	68.00
P.C. Drum	0860-014	335.00
Drum Cleaning Blade	0860-022	34.00
Anti Spill Mylar	0723-550	8.00
Recycling Coil	0723-150	48.00
Recycling Pipe (White)	0723-453	4.20
Cam Gear 36T (Recycling)	0721-025	19.75
Cam Follower for Above	0860-150	29.25
Transfer Corona Wire	0860-076	15.00 / PACK OF 10
Separation Corona Wire	0723-075	15.00 / PACK OF 10
Vacuum Belt Set	0860-540	92.00 / SET
Heater Lamp	9352-222	28.00
Upper Fuser Roller (TEF)	0860-170	32.00
Lower Sleeved Fuser Roller	0860-170	60.00
Oil Regulating Roller (Paper)	1300-513	18.00
Fuser Entry Guide Plate	0860-371	16.00
Pick Off Finger	0704-270	5.50
Upper Fuser Bearing	1300-439	8.00
Lower Fuser Bearing (RP505)	1300-439	4.95
Exit Neutralizing Brush	1021-570	6.85
Exit Reed Switch	9334-222	9.60
Ozone Filter (Small)	0860-780	24.00
Ozone Filter (Vacuum Area)	0860-780	28.75

We maintain a good supply of Circuit Boards and High Voltage Units for this model as well as many other parts in stock or available on special order.

Nationwide Order Line (800) 488-7948 Tech Support Line (909) 581-3503
Fax (909) 581-3503 Website @ www.doc-imaging.com

Parts & Supplies for RP605Z / RP606Z

Document Imaging Supply Company 2003 Catalog

Machine Section	Description	Part Number
PAPER TAKE UP	TAKE UP ROLLER	1050-540
	SEPERATOR PAD ASM	1050-033
	PAPER SENSING SWITCH (FOR CASSETTE)	9334-262
	PAPER TAKE UP CLUTCH	9322-172
TRANSPORT	PAPER TRANSPORT CLUTCH	9322-172
	PAPER SYNCH CLUTCH	9322-182
	SEP MYLAR	1050-550
	SEP SPRING	1400-232
	UPPER TRANSPORT ROLLER	1300-502
	LOWER TRANSPORT ROLLER	1300-522
	UPPER SYNCH ROLLER	1300-502
	LOWER SYNCH ROLLER	1300-522
	TRANSFER CORONA WIRE	1050-075
	1ST & 2ND PAPER SENSING SWITCH	9334-132
CLEANER UNIT	P.C. DRUM	0867-017
	DRUM CLEANING BLADE	1050-551
	TRANSPORT COIL	1050-351
	DRUM CHARGE CORONA WIRE	1050-075
	GRID	1050-390
	ANTI SPILL MYLAR	1050-551
DRIVE SECTION	DRUM DRIVE COUPLER	1050-430
	NP DEV DRIVE CLUTCH	9322-182
	PP DEV DRIVE CLUTCH	9322-182
FUSER SECTION	UPPER FUSER ROLLER	1050-170
	LOWER FUSER ROLLER	1050-170
	OIL SUPPLY ROLLER	1050-170
	PICK OFF FINGER	1050-470
	UPPER FUSER DRIVE GEAR	1300-335
	UPPER FUSER ROLLER BUSHINGS	1065-587
	HEATER LAMP	9352-272
	THERMISTOR	9372-272
	THERMAL FUSE	9346-322
	FUSER END CAP	1050-470
	EXIT SWITCH	9334-272
	EXIT ROLLER	1300-612
MISC	PROJECTION LAMP SOCKET	9351-082

Parts & Supplies for RP607Z

Document Imaging Supply Company 2003 Catalog

Machine Section	Description	Part Number
Paper Take Up	PAPER TAKE UP ROLLER	1053-540
	PAPER FEED ROLLER	0873-301
	PAPER SEPERATOR ROLLER ASM	0873-075
	PAPER DUST REMOVER	1053-076
CHARGE	OZONE FILTER	1036-590
	ERASE LAMP	9351-182
	DRUM CHARGE CORONA	1036-075
	GRID	1036-390
CLEANER UNIT	P.C. DRUM	0873-029
	DRUM CLEANING BLADE	1053-014
	ANTI SPILL MYLAR	1043-550
	TRANSPORT COIL	1036-652
VACUUM	VACUUM BELT	1036-540
	TRANSFER / SEP CORONA	1036-075
	OZONE FILTER	1053-550
FUSER	UPPER FUSER ROLLER	1053-170
	LOWER FUSER ROLLER	1053-0156
	OIL ROLLER	1036-170
	UPPER FUSER BEARING	1300-439
	UPPER PICK OFF FINGER	1043-470
	UPPER FUSER ROLLER DRIVE SPROCKET	1043-470
	UPPER THERMISTOR	9372-282
	THERMAL FUSE	9346-322
	LOWER THERMISTOR	9372-282
	LOWER PICK OFF FINGER	1053-470

Nationwide Order Line (800) 488-7948 Tech Support Line (909) 581-3503
Fax (909) 581-3503 Website @ www.doc-imaging.com

Prices are subject to change without notice. Please confirm pricing by faxing a request for quote, or at time of phone order.

Parts & Supplies for RP609Z

Document Imaging Supply Company 2003 Catalog

Description	Part Number
PROJECTION LAMP SOCKET	0871-010
THERMOSTAT - PROJ LAMP	9346-382
DRUM CHARGE CORONA WIRE	0871-075
GRID	0871-400
VACUUM BELT SET	1054-546
OZONE FILTER	1053-550
TRANSFER / SEP CORONA WIRE	0871-075
P.C. DRUM	0871-017
DRUM CLEANING BLADE	0871-015
UPPER FUSER ROLLER	0871-551
LOWER FUSER ROLLER	0871-551
OIL WEB ROLLER	0871-560
UPPER FUSER BEARING	1300-439
LOWER FUSER BEARING	0871-551
HEATER LAMP	0871-650
THERMISTOR	9372-252
THERMAL FUSE	9346-322
PICK OFF FINGER	1031-470
PICK OFF FINGER	1051-470

**Nationwide Order Line (800) 488-7948 Tech Support Line (909) 581-3503
 Fax (909) 581-3503 Website @ www.doc-imaging.com**

Prices are subject to change without notice. Please confirm pricing by faxing a request for quote, or at time of phone order.

Parts for RFC-9B / 10 / 11 / 12 / UC-5M

Document Imaging Supply Company 2003 Catalog

Model	Description	Part Number
9B	FF / RW KNOB	1346-420
	FF/ RW SWITCH ASSEMBLY (PWB-C)	1346-010
	TAKE UP HUB O-RINGS	1346-560
	LOAD ROLLER	1346-140
	LOAD HANDLE (PULL OUT)	1356-420
	UPPER GLASS	1346-550
	LOWER GLASS	1346-0751
RFC-10 / 11 / 12	QUICK THREAD TAKE UP REEL	0861-420
RFC-10	UPPER GLASS	9985-103
RFC-10	LOWER GLASS	9985-103
RFC-10	SPINDLE	9985-102
RFC-10	LARGE WHITE GEAR	9985-107
RFC-10 / 11 / 12 / UC-5M	FF / RW POT	9985-105
RFC-10 / 11 / 12 / UC-5M	MAIN MOTOR	9985-104
RFC-11	UPPER GLASS	9985-200
RFC-11	LOWER GLASS	9985-200
RFC-12	UPPER GLASS	9985-300
RFC-12	LOWER GLASS	9985-200
UC-5M	UPPER GLASS	9985-320
UC-5M	LOWER GLASS	9985-302
UC-5M	LARGE WHITE GEAR	9985-106
UC-5M	SPINDLE SHAFT	9985-301

**Nationwide Order Line (800) 488-7948 Tech Support Line (909) 581-3503
 Fax (909) 581-3503 Website @ www.doc-imaging.com**

Prices are subject to change without notice. Please confirm pricing by faxing a request for quote, or at time of phone order.

Parts for UC-1 / UC-2

Document Imaging Supply Company 2003 Catalog

Model	Description	Part Number
UC-1 / UC-2	FF / RW KNOB	1373-400
UC-1 / UC-2	LABEL FOR FF/RW KNOB	1373-400
UC-1 / UC-2	UPPER ROLL FILM GLASS	1373-075
UC-1 / UC-2	LOWER ROLL FILM GLASS	1346-075
UC-1 / UC-2	UPPER FICHE GLASS	1373-075
UC-1 / UC-2	LOWER FICHE GLASS	1373-200
UC-1	PULL OUT LOAD KNOB	1356-420
UC-1	MAIN FILM FEED ROLLER	1373-102
UC-1 / UC-2	PIVOT FEED ROLLERS	1346-140
UC-1 / UC-2	TIMING BELT	1373-306
UC-1 / UC-2	MAIN MOTOR	0858-610
UC-1 / UC-2	LOAD MOTOR	1373-610
UC-1	TAKE UP HUB BELTS	1346-560
UC-1	FF / RW POT ASM (PWB-C)	1373-600
UC-2	FF / RW POT	1373-681
UC-2	MAIN FEED ROLLER	1373-104
UC-2	LOWER FEED ROLLER	1373-104
UC-2	TAKE UP HUB BELTS	1373-307
UC-1 / UC-2	68T MAIN DRIVE PULLY	1373-306

**Nationwide Order Line (800) 488-7948 Tech Support Line (909) 581-3503
 Fax (909) 581-3503 Website @ www.doc-imaging.com**

Prices are subject to change without notice. Please confirm pricing by faxing a request for quote, or at time of phone order.

Components for Cameras

Document Imaging Supply Company 2003 Catalog

Model	Part Number	Description
MA16	1407-4362-05	FAST BOARD 100:PCB ASSY
MA16	1407-3019-01	LAMP COVER
MA16	1407-4100-04	EXPOSURE SWITCH
MA16	F15T8/CW	FLUORESCENT LAMP
MA16	1407-4102-01	PILOT LAMP
MA16	0805-3001-02	CAMERA MOTOR
MA16	1407-4099-01	COUNTER
MA16	1407-4059-02	CONNECTOR 8S FEMALE
MA16	1407-4058-02	CONNECTOR 8P MALE
MA16	1407-4305-01	CONNECTOR 14S FEMALE
MA16	1407-4304-01	CONNECTOR 14P MALE
MA16	0805-1504-02	SPRING, SUPPLY
MA16	0805-2575-02	SHAFT, STAND OFF
MA16	0805-3107-03	SPRING, TAKE UP
MA16	1407-4098-01	ALARM SWITCH
MA16	1407-4097-01	SPACING SWITCH
MA16	1407-4054-01	ROTARY SWITCH ASM
MA16	0805-3108-03/0806-1239-01	BRASS NUT
MA16	0805-1119-01	TAKE UP SPONGE
MA16	0805-1118-02	SUPPLY SPONGE
DR1600 / 2800	1x 0806-4201 1x 0806-4202 1x 0806-4214 1x 0806-4216 2x 0806-5202 1x 0806-5203 1x 0806-0215 1x 0806-0217 1x 0806-5218 1x 0806-5219 4x 0806-5220 2x 0806-5223 1x 0806-5227 1x 0806-5229 1x 0806-5221	Camera Head P.M. Kit

P.M. Kits

Document Imaging Supply Company 2003 Catalog

Model	Required	Part Number	Contents of P.M. Kit
RP502 RP503 RP504 RP600Z	30K	0870-0901-01	Lower Fuser Roller - 0857-170 Upper Fuser Roller - 1035-170 Pick Off Fingers - 1035-470 Ozone Filter - 0858-550 Fuser Cleaning Pad - 0870-550 Seperation Belt Mylar - 0870-350 Drum Cleaning Blade - 1035-015
RP603Z	30K	0876-9995-01	Lower Fuser Roller - 1067-570 Upper Fuser Roller - 1132-570 Pick Off Fingers - 1035-470 Fuser Cleaning Pad - 0870-550 Ozone Filter - 0858-550 Trasport Coil - 1035-351 Polyester Film - 0870-550 Seperation Belt Mylar - 1035-550 Drum Cleaning Blade - 1035-015 Seal Assembly - 0948-010
RP605Z RP606Z	40K	0867-0901-01	Drum Cleaning Blade - 1050-551 Anti-Spill Mylar - 1050-551 Upper Fuser Roller - 1050-170 Lower Fuser Roller - 1050-170 Oil Application Roller - 1050-170 Ozone Filter - 0867-590 Paper Seperator Pad Asm - 1050-075 Paper Seperation Belt - 1050-550 Fuser Pick Off Finger - 1050-470 Mag Roller Bushing (R) - 1050-075 Mag Roller Bushing (L) - 1050-075
RP607Z	Mini P.M. Kit 60K	0873-9994-01	Drum Cleaning Blade - 1053-014 Toner Anti Spill Mylar - 1043-550 Upper Thermistor - 9372-282 Upper Fuser Roller Drive Sprocket - 1043-470 Fuser Cleaning Roller - 1036-170
RP607Z SN<XX1131	Standard P.M. Kit 90K	0873-9995-01	2x Paper Take Up Rollers - 1053-540 2x Paper Feed Rollers - 0873-301 2x Paper Seperator Rollers - 0873-075 1x Paper Dust Remover - 1053-076 1x Ozone Filter - 1036-590 1x Ozone Filter - 1053-550 1x Upper Fuser Roller - 1053-170 5x Upper Pick Off Fingers - 1x Lower Fuser Roller - 1053-015 5x Lower Pick Off Fingers - 1053-470 1x Cleaning Roller - 1036-170

P.M. Kits

Document Imaging Supply Company 2003 Catalog

Model	Required Every	Part Number	Contents of P.M. Kit
RP609Z	Standard P.M. Kit 60K	0871-9995-01	1x Ozone Filter - 1053-550 1x Drum Cleaning Blade - 0871-015 1x Ozone Filter - 1054-590 1x Fuser Cleaning Web Rlr - 0871-560 2x Bearing - 1300-439
RP609Z	Fuser Rollers 90K	0871-5512-01	1x Upper Fuser Roller - 0871-551 1X Lower Fuser Rolelr - 0871-551 1X Fuser Web Roller - 0871-560 5x Fuser Pick Off Fingers -
MSP2000 & 3000			Paper Pick Up Assembly
MSP2000 & 3000			Transfer Roller Assembly
MSP2000 & 3000			Complete Fuser Assembly
DR1600 & 2800	0806-9995-01	Film Unit P.M. Kit Every 1 Mil 1x 0806-0215 1x 0806-0217 1x 0806-5218 1x 0806-5219 4x 0806-5220 2x 0806-5223 1x 0806-5227 1x 0806-5229 1x 0806-5221	1x 0806-4201 1x 0806-4202 1x 0806-4214 1x 0806-4216 2x 0806-5202 1x 0806-5203
DAR2800	0807-9995-01 1200-3235 1225-2319 1227-2301 1227-2351 1227-2352 0807-5403 0807-5404 0807-5405 0807-5406 0807-5407 0807-5408 0807-5412 0807-5113	ADF P.M. Kit 250K to 1 Mil 1031-5401 1032-5401 0807-4407 1200-3235 1225-2319 1227-2301 1227-2351 1227-2352 0807-5403 0807-5404 0807-5405 0807-5406 0807-5407 0807-5408 0807-5405 0807-5406 0807-5407 0807-5408 0807-5412 0807-5113	1x 0807-1411 2x 0807-1412 1x 0807-1415 1x 0807-1421 1x 0807-1423 0807-1424 0807-1425 0807-1426 0807-1427 0807-1432 0807-1435 0807-1437 0807-7808 0807-7809 0807-0205 0807-4403 1031-5401 1032-5401 0807-4407

Consumables

Document Imaging Supply Company 2003 Catalog

Model	BM Starter	N-P Starter	P-P Starter	N-P Toner	P-P Toner	Generic Toner BM-NP-PP	Projection Lamp
RP502	8908-758	N/A	N/A	8908-772	N/A	BT3000	FCS
RP503	8908-758	N/A	N/A	8908-772	N/A	BT3000	EHJ
RP504	8908-758	N/A	N/A	8908-772	N/A	BT3000	FCS
RP505	8908-752	N/A	N/A	8908-744	N/A	BT1000	EHJ
RP507	N/A	8910-014	8910-013	8910-004	8910-003	BT7000P	FCS
RP509	8908-752	N/A	N/A	8908-744	N/A	BT1000	EHJ
RP600Z	N/A			8910-404	8910-403	BT6000 BT6000P	DDS
RP603Z	N/A	N/A	8910-412	N/A	8910-403	BT6000P	DDL
RP605Z	N/A	8910-214	8910-213	8910-204	8910-203	BT4000 (N-P) BT4000P (P-P)	DDL
RP606Z	N/A	8910-214	8910-213	8910-204	8910-203	BT4000 BT4000P	DDL
RP607Z	N/A	8910-714	8910-714	8910-704	8910-703	BTM6070 BT6070P	DDL
RP609Z	N/A	8910-621		8910-611		BTM6090	
MSP2000L	N/A	N/A	N/A	4152-615			
MSP2000 / 3000	N/A	N/A	N/A	4161-106			

**Nationwide Order Line (800) 488-7948 Tech Support Line (909) 581-3503
Fax (909) 581-3503 Website @ www.doc-imaging.com**

Prices are subject to change without notice. Please confirm pricing by faxing a request for quote, or at time of phone order.

Error Codes

Document Imaging Supply Company 2003 Catalog

Model	PO	P1	P2	P3	C1	C2	C3	C4	C5	C6	C7	U1	U2	U3	U4	U5
RP502		1	2	3	4	5	8	7	X			X	X	X	X	X
RP503		1	2	3	4	5	8	7	X			X	X	X	X	X
RP504		1	2	3	4	5	8	7	X			X	X	X	X	X
RP505 CONDITION MONITOR		1 1	2 2	3 3	4 4	5 4	6 5 OR 6	7 9	8 7 OR 8			X	X	X	X	X
RP507	J-0	J-1	J-2	J-3	E-							X	X	X	X	X
RP509 CONDITION MONITOR		1	2	3								X	X	X	X	X
RP600Z		1	2	3	4 & E1	X	8	7	10	11	12	X	X	X	X	X
RP603Z							SEE BELOW									
RP605Z		1	2	3	4	5	8	7				X	X	X	X	X
RP606Z		1	2	3	4	5	8	7								
RP607Z																
RP609Z																
MSP2000- 3000																
UC-1																
UC-2																

#0= JAM AT BULK FEEDER
 #1= JAM AT PAPER TAKE UP, IN CASSETTE OR U-TURN AREA
 #2= JAM AT MID SECTION, TRANSPORT/SYNCH AREA
 #3= JAM AT FUSER OR EXIT SECTION
 #4= MIRROR SCAN ERROR
 #5= H.V. LEAK OR BROKERN CORONA WIRE
 #6=ERASE LAMP FAILURE
 #7=FUSER NOT HOT ENOUGH OR NOT TURNING ON AT ALL.
 #8 =FUSER IS RUNNING TOO HOT
 #9= DRUM DRIVE SHAFT NOT FULLY ENGAGED
 #10= DEFECTIVE MAIN DRIVE MOTOR
 #11 DEFECTIVE COOLING FAN MOTOR
 #12 DEFECTIVE TONER EMPTY DETECTOR
 #13 E-1/2 DEFECTIVE PAPER CASSETTE LIFT

RP603Z

U7=COVER OPEN
 PO=CASSETTE NOT IN POSITION
 P1= PAPER EMPTY
 P2= MISFEED @ TRASPORT
 P3= MISFEED @ EXIT
 CO= MAIN MOTOR MALFUNCTION
 C1-01= SCAN TABLE MAL
 C1-02= SANN MOTOR MAL
 C2= H.V. LEAKAGE
 C3= FUSER TOO HOT
 C4= FUSER TOO COLD
 C5-01-04= SHUTTER MAL
 C6= ERASE LAMP MAL
 Cd= THERMISTOR MAL
 CC-01-03= COOLING FAN FAILURE
 C8 / C9 = COMM ERROR PWB-A
 CA-01-03=RAM ERROR

Circuit Board Repair

Document Imaging Supply Company 2003 Catalog

Model	PWB-A	PWB-B	PWB-C	PU-1	PU-2	Other	Other	Other	Other	Other
RP502	\$95.00	\$55.00	**	**	**					
RP503	\$95.00	\$55.00	**	**	**					
RP504	\$95.00	\$55.00	**	**	**					
RP505	\$105.00	\$65.00	**	**	**					
RP507										
RP509	\$95.00	\$65.00	**	**	**					
RP600Z	\$45.00	**	\$40.00	\$75.00	**					
RP603Z	\$95.00	**	**	\$85.00	\$85.00					
RP605Z	\$95.00	**	\$35.00	\$75.00	\$70.00					
RP606Z	\$95.00	**	\$65.00	\$75.00	\$70.00					
RP607Z	\$115.00	\$55.00	\$75.00	\$75.00	\$75.00					
RP609Z	\$95.00	\$85.00	\$75.00	**	**					
SP130										
SP330/340										
SP700										
MSP2000										
SP3000										
Di-30										
DR1600/ 2800	\$95.00	\$75.00	**	**	**					
RFC-9B	\$95.00	**	**	**	**					
RFC-10/11 12	\$60.00	**	**	**	**					
RFC-15	\$115.00	**	**	**	**					

**Nationwide Order Line (800) 488-7948 Tech Support Line (909) 581-3503
Fax (909) 581-3503 Website @ www.doc-imaging.com**

Prices are subject to change without notice. Please confirm pricing by faxing a request for quote, or at time of phone order.

Replacement Parts & Supplies

Document Imaging Supply Company 2003 Catalog

Model	Part Number	Description
7540/7565	78-8035-1297-5	UPPER FUSER BEARING
7540/7565	78-8034-5895-3	UPPER FUSER BUSHING
7540/7565	78-8034-8916-6	LOWER FUSER BUSHING
7540/7565	78-8035-5412-6	DRUM CLEANING BLADE
7540/7565	78-6969-5718-8	TONER RECOVERY BLADE
7540/7565	78-8035-8838-9	P.C. DRUM
7540/7565	78-8035-5413-4	CORONA WIRE PACK
7540/7565	78-8035-2604-1	PPR PICK UP ROLLER
7540/7565	78-8035-4393-9	UPPER FUSER ROLLER
7540/7565	78-8059-1356-9	LOWER FUSER ROLLER
7540/7565	78-8035-1269-4	UPPER ROLLER DRIVE GEAR
7540/7565	78-8035-3399-7	FUSER PICK OFF FINGER
7540/7565	78-8035-1291-8 78-8035-1292-6	PICK OFF WIRE HOLDER
7540/7565	78-8035-5485-2	HEATER LAMP
7540/7565	78-8035-7233-4	THERMISTOR
7540/7565	78-8035-3331-0	THERMAL FUSE
7540/7565	78-8036-9244-4	PROJECTION LAMP SOCKET
7540/7565	78-8035-1149-8	TRANS/SEP MYLAR
7540/7565	78-6969-6128-9	N-P DEVELOPER T407
7540/7565	78-6969-6127-1	P-P DEVELOPER T406
7540/7565	78-6969-6231-1	N-P TONER OEM T409
7540/7565	78-6969-6129-7	P-P TONER OEM T408
7540/7565	78-8035-8499-0	TONER WASTE BOTTLES

**Nationwide Order Line (800) 488-7948 Tech Support Line (909) 581-3503
Fax (909) 581-3503 Website @ www.doc-imaging.com**

Prices are subject to change without notice. Please confirm pricing by faxing a request for quote, or at time of phone order.